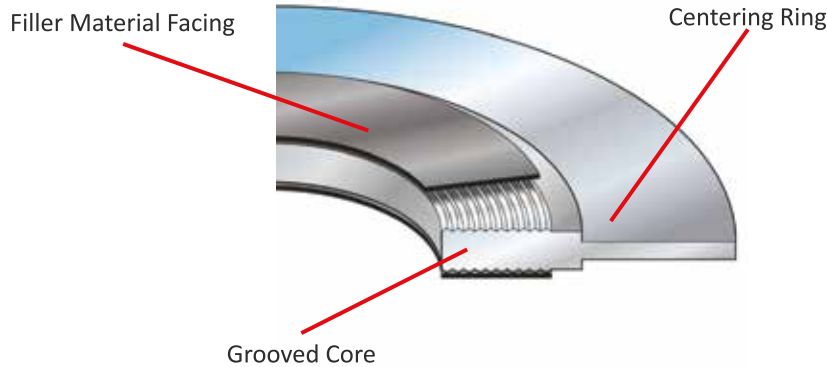
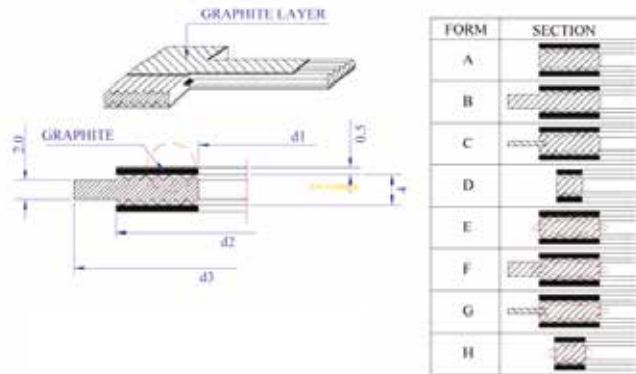


Camprofile/Grooved Gaskets

Camprofile/grooved gaskets have proven extremely useful in all areas of industry, including the most demanding sealing tasks. Particularly in places where there are high pressures and temperatures, and fluctuating conditions



OGF PROFILE TYPES



GROOVED GASKET DIMENSIONS as per ASME B16.20 FOR ASME B16.5 FLANGES

Dimension in mm		Gasket Contact Width (1)	Gasket Inside Diameter (d1)	Gasket Outside Diameter (d2)	Centering Ring Outside Diameter (d3)						
(mm)	(in)				W	150	300	400	600	900	1500
15	½	4.83	23.1	33.3	47.8	54.1	54.1	54.1	63.5	63.5	69.9
20	¾	4.83	28.7	39.6	57.2	66.8	66.8	66.8	69.9	69.9	76.2
25	1	6.35	36.6	47.5	66.8	73.2	73.2	73.2	79.5	79.5	85.9
32	1 ¼	7.87	44.5	60.2	76.2	82.6	82.6	82.6	88.9	88.9	104.9
40	1 ½	9.65	52.3	69.9	85.9	95.3	95.3	95.3	98.6	98.6	117.6
50	2	9.65	69.9	88.9	104.9	111.3	111.3	111.3	142.3	143.0	146.1
65	2 ½	9.65	82.6	101.6	124.0	130.3	130.3	130.3	165.1	165.1	168.4
80	3	9.65	98.3	123.7	136.7	149.4	149.4	149.4	168.4	174.8	196.9
90	3 ½	7.95	101.60	153.9	162.05	165.10	162.05	162.05	-	-	-
100	4	12.70	123.7	153.9	174.8	181.1	177.8	193.8	206.5	209.6	235.0
125	5	12.70	150.9	182.6	196.9	215.9	212.9	241.3	247.7	254	279.4
150	6	12.70	177.8	212.6	222.3	251	247.7	266.7	289.1	282.7	317.5
200	8	15.75	228.6	266.7	279.4	308.1	304.8	320.8	358.9	352.6	387.4
250	10	19.05	282.7	320.8	339.9	362	358.9	400.1	435.1	435.1	476.3
300	12	19.05	339.6	377.7	409.7	422.4	419.1	457.2	498.6	520.7	549.4
350	14	19.05	371.6	409.7	450.9	485.9	482.6	492.3	520.7	577.9	-
400	16	22.35	422.4	466.6	514.4	539.8	536.7	565.2	574.8	641.4	-
450	18	22.35	479.3	530.1	549.4	596.9	593.9	612.9	638.3	704.9	-
500	20	25.40	530.1	580.9	606.6	654.1	647.7	682.8	698.5	755.7	-
600	24	25.40	631.7	682.5	717.6	774.7	768.4	790.7	838.2	901.7	-

Camprofile/Grooved Gaskets

**GASKET DIMENSIONS FOR ASME B16.47 SERIES A
FLANGES 150 LBS TO 900 LBS**

FLANGE SIZE		d1					d2					d3				
DN mm	NPS in.	150 lbs	300 lbs	400 lbs	600 lbs	900 lbs	150 lbs	300 lbs	400 lbs	600 lbs	900 lbs	150 lbs	300 lbs	400 lbs	600 lbs	900 lbs
650	26	673.1	685.8	685.8	685.8	685.8	704.9	736.6	736.6	736.6	736.6	774.7	835.2	831.9	866.9	882.7
700	28	723.9	736.6	736.6	736.6	736.6	755.7	787.4	787.4	787.4	787.4	831.9	898.7	892.3	914.4	946.2
750	30	774.7	793.8	793.8	793.8	793.8	806.5	844.6	844.6	844.6	844.6	882.7	952.5	946.2	971.6	1009.7
800	32	825.5	850.9	850.9	850.9	850.9	860.6	901.7	901.7	901.7	901.7	939.8	1006.6	1003.3	1022.4	1073.2
850	34	876.3	901.7	901.7	901.7	901.7	911.4	952.5	952.5	952.5	952.5	990.6	1057.4	1054.1	1073.2	1136.7
900	36	927.1	955.8	955.8	955.8	958.9	968.5	1006.6	1006.6	1006.6	1009.7	1047.8	1117.6	1117.6	1130.3	1200.2
950	38	977.9	977.9	971.6	990.8	1035.1	1019.3	1016.0	1022.4	1041.4	1085.9	1111.3	1054.1	1073.2	1104.9	1200.2
1000	40	1028.7	1022.4	1025.7	1047.8	1098.6	1070.1	1070.1	1076.5	1098.6	1149.4	1162.1	1114.6	1127.3	1155.7	1251.0
1050	42	1079.5	1073.2	1076.5	1104.9	1149.4	1124.0	1120.9	1127.3	1155.7	1200.2	1219.2	1165.4	1178.1	1219.2	1301.8
1100	44	1130.3	1130.3	1130.3	1162.1	1206.5	1178.1	1181.1	1181.1	1212.9	1257.3	1276.4	1219.2	1231.9	1270.0	1368.6
1150	46	1181.1	1178.1	1193.8	1212.9	1270.0	1228.9	1228.9	1244.6	1263.7	1320.8	1327.2	1273.3	1289.1	1327.2	1435.1
1200	48	1231.9	1235.2	1244.6	1270.0	1320.8	1279.7	1286.0	1295.4	1320.8	1371.6	1384.3	1324.1	1346.2	1390.7	1485.9
1250	50	1282.7	1295.4	1295.4	1320.8	-	1333.5	1346.2	1346.2	1371.6	-	1435.1	1378.0	1403.4	1447.8	-
1300	52	1333.5	1346.2	1346.2	1371.6	-	1384.3	1397.0	1397.0	1422.4	-	1492.3	1428.8	1454.2	1498.6	-
1350	54	1384.3	1403.4	1403.4	1428.8	-	1435.1	1454.2	1454.2	1479.6	-	1549.4	1492.3	1517.7	1555.8	-
1400	56	1435.1	1454.2	1454.2	1479.6	-	1485.9	1505.0	1505.0	1530.4	-	1606.6	1543.1	1568.5	1612.9	-
1450	58	1485.9	1511.3	1505.0	1536.7	-	1536.7	1562.1	1555.8	1587.5	-	1663.7	1593.9	1619.3	1663.7	-
1500	60	1536.7	1562.1	1568.5	1593.9	-	1587.5	1612.9	1619.3	1644.7	-	1714.5	1644.7	1682.8	1733.6	-

**GASKET DIMENSIONS FOR ASME B16.47 SERIES B
FLANGES 150 LBS TO 900 LBS**

FLANGE SIZE		d1					d2					d3				
DN mm	NPS in.	150 lbs	300 lbs	400 lbs	600 lbs	900 lbs	150 lbs	300 lbs	400 lbs	600 lbs	900 lbs	150 lbs	300 lbs	400 lbs	600 lbs	900 lbs
650	26	673.1	673.1	666.8	663.7	692.2	698.5	711.2	698.5	714.5	749.3	725.4	771.7	746.3	765.3	838.2
700	28	723.9	723.9	714.5	704.9	743.0	749.3	762.0	749.3	755.7	800.1	776.2	825.5	800.1	819.2	901.7
750	30	774.7	774.7	765.3	778.0	806.5	800.1	812.8	806.5	828.8	857.3	827.0	886.0	857.3	879.6	958.9
800	32	825.5	825.5	812.8	831.9	863.6	850.9	863.6	860.6	882.8	914.4	881.1	939.8	911.4	933.5	1016.0
850	34	876.3	876.3	866.9	889.0	920.8	908.1	914.4	911.4	939.8	971.6	935.0	993.9	962.2	997.0	1073.2
900	36	927.1	927.1	917.7	939.8	946.2	958.9	965.2	965.2	990.6	997.0	987.6	1047.8	1022.4	1047.8	1124.0
950	38	974.9	1009.7	971.6	990.6	1035.1	1009.7	1047.8	1022.4	1041.4	1085.9	1044.7	1098.6	1073.2	1104.9	1200.2
1000	40	1022.4	1060.5	1025.7	1047.8	1098.6	1063.8	1098.6	1076.5	1098.6	1149.4	1095.5	1149.4	1127.3	1155.7	1251.0
1050	42	1079.5	1111.3	1076.5	1104.9	1149.4	1114.6	1149.4	1127.3	1155.7	1200.2	1146.3	1200.2	1178.1	1219.2	1301.8
1100	44	1124.0	1162.1	1130.3	1162.1	1206.5	1165.4	1200.2	1181.1	1212.9	1257.3	1197.1	1251.0	1231.9	1270.0	1368.6
1150	46	1181.1	1216.2	1193.8	1212.9	1270.0	1224.0	1254.3	1244.6	1263.7	1320.8	1255.8	1317.8	1289.1	1327.2	1435.1
1200	48	1231.9	1263.7	1244.6	1270.0	1320.8	1270.0	1311.4	1295.4	1320.8	1371.6	1306.6	1368.6	1346.2	1390.7	1485.9
1250	50	1282.7	1317.8	1295.4	1320.8	-	1325.6	1355.9	1346.2	1371.6	-	1357.4	1419.4	1403.4	1447.8	-
1300	52	1333.5	1368.6	1346.2	1371.6	-	1376.4	1406.7	1397.0	1422.4	-	1408.2	1470.2	1454.2	1498.6	-
1350	54	1384.3	1403.4	1403.4	1428.8	-	1422.4	1454.2	1454.2	1479.6	-	1463.8	1530.4	1517.7	1555.8	-
1400	56	1444.8	1479.6	1454.2	1479.6	-	1478.0	1524.0	1505.0	1530.4	-	1514.6	1593.9	1568.5	1612.9	-
1450	58	1500.6	1535.2	1505.0	1536.7	-	1528.8	1573.3	1555.8	1587.5	-	1579.6	1655.8	1619.3	1663.7	-
1500	60	1557.3	1589.0	1568.5	1593.9	-	1586.0	1630.4	1619.3	1644.7	-	1630.4	1706.6	1682.8	1733.6	-

MANUFACTURING TOLERANCES AS PER ASME B16.20

DESCRIPTION DN(NPS)	d1 (mm)	d2 (mm)	d3 (mm)
UP TO 600MM(24")	±0.8	±0.8	±0.8
650MM(26")-850MM(34")	±0.8	±1.5	±0.8
650MM(36")-1500MM(60")	±1.5	±1.5	±0.8